

BIBI 26-BL-W



TRACK BASED SCISSOR LIFT



BIBI 26-BL-W

The unique and award winning BIBI 26BL was the first unit in the revolutionary line of bi-leveling compact tracked based scissor lifts. With its ability to both travel and set up on uneven surfaces, adjusting to both front and rear as well as side sloping, the BIBI 26BL created a new lift category.

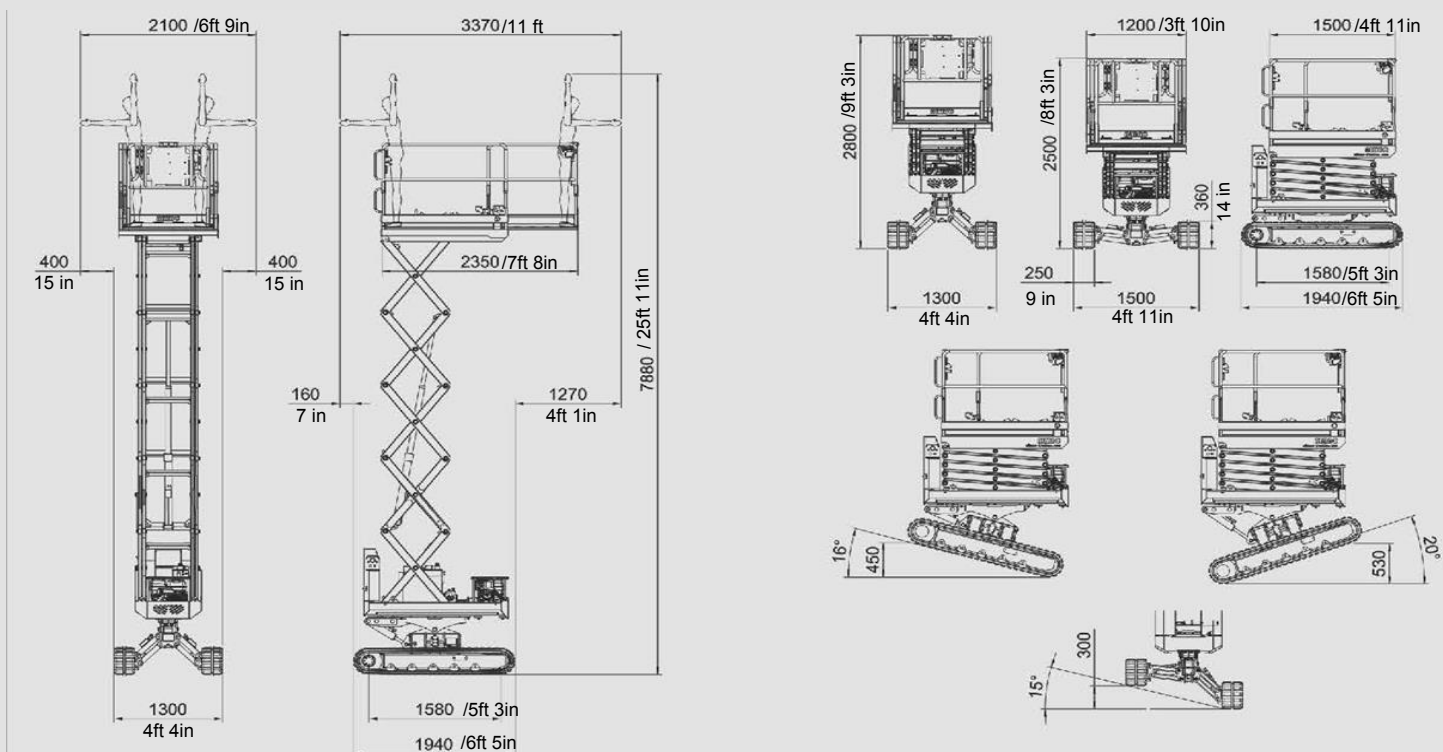
Its unique features allow the BIBI 26BL to get into work applications that no other lift can do thanks to its compact size, and replaces the use of much bigger units or alternative, less safe methods of access.

The BIBI 26BL is the new benchmark for efficient, safe access in uneven terrain.

Technical data	Bibi 26 BL-W
Basket capacity	550lbs (2 op.)
Max working height	25ft 11 in
Max height basket floor	19ft 4in
Moving height	16ft
Lateral leveling for moving at heights	+/- 4°
Powered	Gasoline Honda iGX390
Powered (option)	Diesel Hatz 1B40
Powered (option)	-
Accelerator	Automatic
Undercarriage	Bi-Leveling
Basket leveling	Automatic
Leveling Front	+/- 16°
Leveling Rear	+/- 20°
Side leveling	+/- 15°
Power generator (option)	220V-1kW
Electric pump (option)	220V-2kW
Hydraulic commands	Proportional
Direction-Control System	Yes
Easy-Drive System	Yes
Kit for high speed	max 1.7 mph
Ground emergency	Yes
Control of inclination	Automatic
Gradeability	25°
Side slope	21°
Length	6ft 5 in
Width	4ft 4in - 4ft 11in
Min. machine height with folded railings	5ft 3in
Total weight	5423 lbs
Compliance	EN 280, ANSI, CSA, ASNZS1418



- Bi-leveling tracks (front, rear & side)
- 26ft work height
- 16ft drive height
- Auto leveling
- Honda engine
- Inclination control system
- Expandable basket



We reserve the right to alterations.