



B35 EB BLUELIFT

The BLUELIFT Series

The new 100% electric BlueLift B35 EB is the smallest model that can maneuver providing emission, odor, and noise free operations at so many indoor facilities. At a mere 10 feet in length and less than 3440 pounds the B35 EB fits into a standard shopping mall and/or office building elevator. It's new revolutionary basket elevation system allows it to work below floor level, providing a completely new and safer way to maintain handrail walls and surfaces.

Powered by lithium batteries, the B35 EB can travel inside multi-level buildings and also maintain areas up to 35 feet work height.

This lift is ideal for work applications at:

- Shopping Malls
- Airports
- Hotels & Resorts
- Office Buildings
- Museums

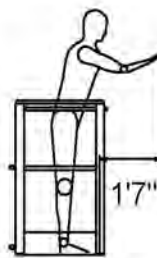
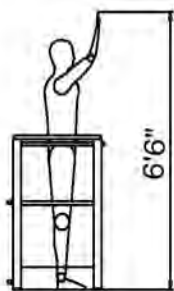
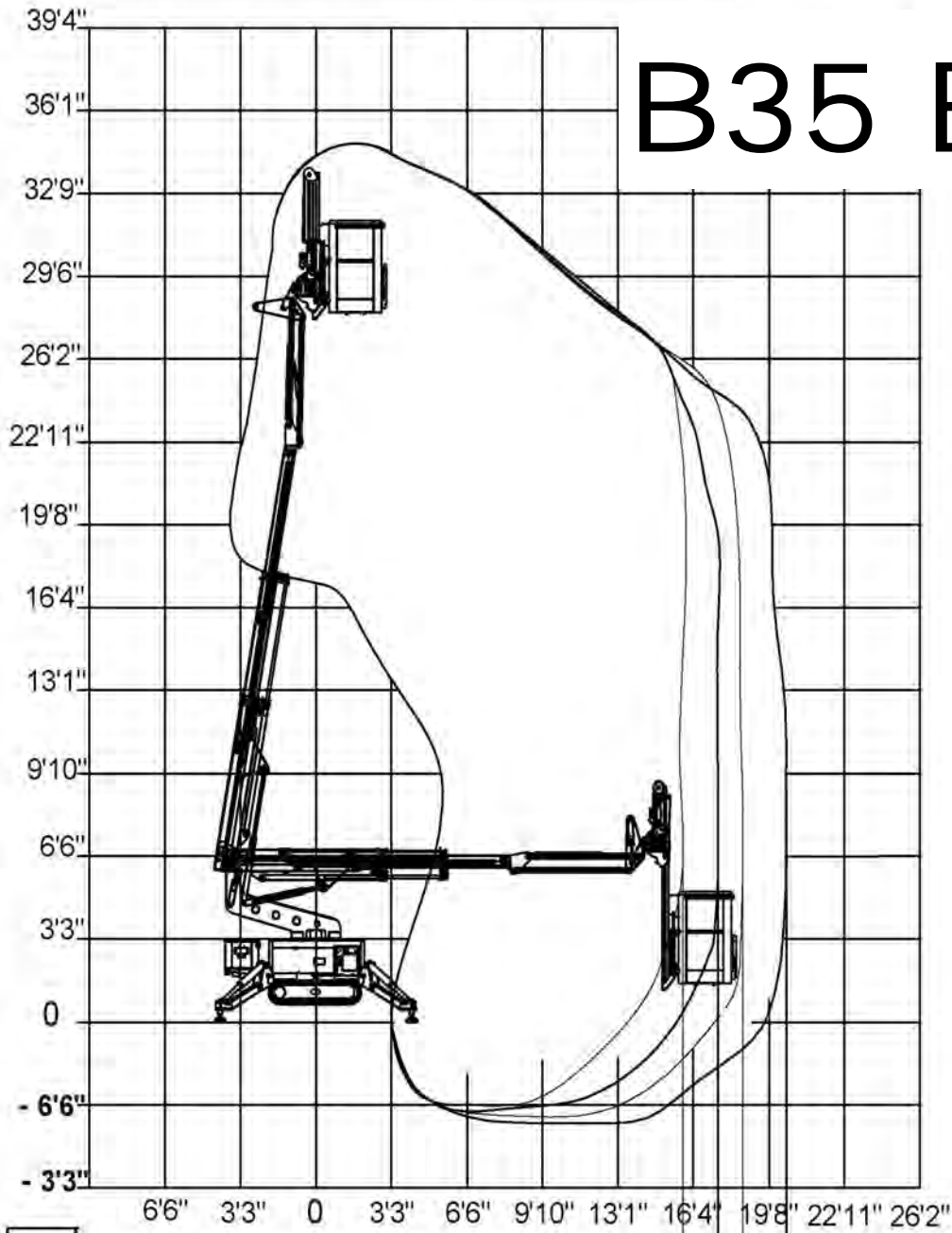
The BlueLift Series are:

- Available in 7 models from 35ft -101ft
- Lithium battery and combustion engine - check model availability
- Pass through a single or double door opening
- Set up on uneven surfaces
- Detachable basket

Model	B35EB
Working height	34ft 8in
Max outreach	20ft4in/264 lb
Basket load-max	440lbs
Basket dims	4ft3in x 2ft3in
Basket rotation	+/-90°
Turret rotation	340°
Height	6ft5in
Length (w/o basket)	10ft2in
Length (w/ basket)	12ft5in
Length(w/Basket & jib detached)	7ft 8in
Width (w/o basket)	2ft10in
Footprint	8ft11in X 7ft10in
Weight (approx)	3384 lbs
Weight(w/Basket & jib detached)	2854 lbs
Max pressure, tracks	5.52 psi
Track size(per track)	44in x 61/2 in
Max pressure foot pad	11.1 psi
Foot Pad area	15-3/4in X 15-3/4in
Lithium Battery	Standard
Hetronic Remote	Standard

We reserve the right to alterations

B35 EB



15' / 440 lb

20'4" / 264 lb

17'4" / 440 lb

18'4" / 264 lb

WORKING PARAMETERS