



# B101 BLUELIFT

ReachMaster launched the BlueLift line in North America in 2010, and since then this line of track-based compact aerial lifts has continued to set one record after another:

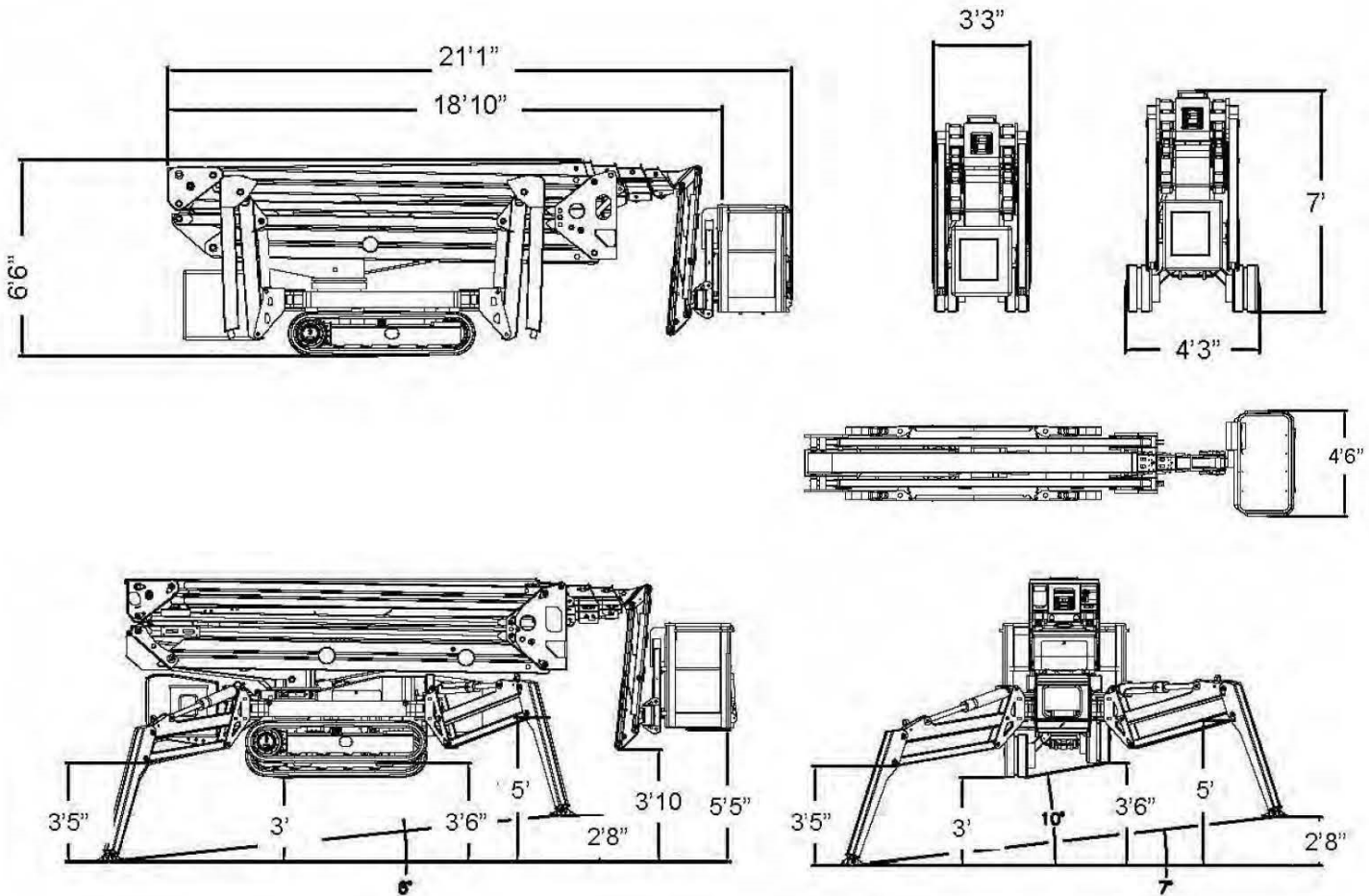
The first manufacturer in the world to

- offer a 72 ft. work height unit with an overall length of less than 15 ft
- feature a true hybrid option with combined lithium and combustion engine in this class of units
- offer the most narrow units in its class
- auto centering of boom, go-home features and many more operator aid functions

The latest new feature is an innovative electro-hydraulic system that will allow the operator to use two independent functions at the same time.

With working heights from 35 – 101 ft., single and double door access combined with hybrid power solutions, the BlueLift line offers an unmatched range of versatile lifts that can be used in- and outdoor. Applications such as general rental, window cleaning, building maintenance and tree care are just a few of the many tasks where the BlueLift line will offer a superior, safer and more efficient solution.

<b>Model</b>	<b>B101</b>
Working height	101ft8in
Basket height	95ft
Outreach	56ft9in / 264lbs 50ft2in / 440lbs 46ft10in/ 550lbs
Basket capacity	550 lbs
Basket dims	4ft6in x 2ft3½in
Basket rotation	160° (80°+80°)
Up and over clearance	32ft9in
Height	6ft6in
Length (w/o basket)	18ft10in
Length (w/ basket)	21ft1in
Width (w/o basket)	3ft3in
Footprint	Variable
Weight (approx)	10,361lbs
Max pressure, tracks	9.47 psi
Outrigger sliding box	39.16 psi
Outrigger sliding boxsize	23" x 9"
Foot plate size	56.96 sq in
Gradeability	35%
DIESEL	Standard
COMBO Package	Option
Lithium battery	Option



### Standard Equipment:

- **Basket Rotation**
- **Diesel Engine**
- **110V in basket**
- **Track adjusting system**
- **Hetronic Radio remote control**
- **Self stabilizing system**
- **Proportional track drive with hydraulic braking system**
- **Non marking tracks**

### Optional Equipment:

- **Lithium Battery Pack**
- **COMBO—Lithium Battery and Diesel**